



Ergon 3

Booms

Complete coverage extends beyond 360°



Skytron helps healthcare facilities realize a whole new degree of coverage. Ergon 3 booms are designed to provide 360° equipment coverage – but they do not stop there. Instead, each boom configuration is also designed to give healthcare providers a better day.

More Access, Less Cost

The Skytron Central Tandem Mount offers four arms from one hub. This exclusive design allows convenient access to lights, equipment and flat-screen displays anywhere around the patient. With only one mount, there are less construction costs to worry about.

Simple Positioning

Designed with unique friction brake technology, Skytron brings seamless movement of each boom arm – without buttons, drift or expensive maintenance requirements.

Maximum Space Utilization

Skytron equipment carriers are uniquely designed for a smaller footprint and comprehensive, shoulder-to-shoulder coverage. Product experts work alongside of healthcare teams to preserve valuable space and time – resulting in clinical environments that bring a better, easier day.



360°
Equipment
Access



Reduced
Construction
Expense



Smaller
Rotational
Footprint



Designed to keep everything where you need it

Central Tandem Mount

Offering the industry's maximum number of arms (four) from one mount. This allows the positioning of the equipment carrier, flat-screen displays or lights anywhere around the patient.



Differentiating Features

- Exclusive Central Tandem Mount allows positioning of equipment carrier, flat-screen displays or lights anywhere around the patient
- Single mount saves on construction expense
- Eliminate rotational conflicts caused by side-by-side mounts
- Button-free, friction braking system reduces maintenance costs and drift
- Center-aligned carriers minimize rotational footprint
- 330° rotation on boom axis
- Countless configuration options to meet any specification or clinical need

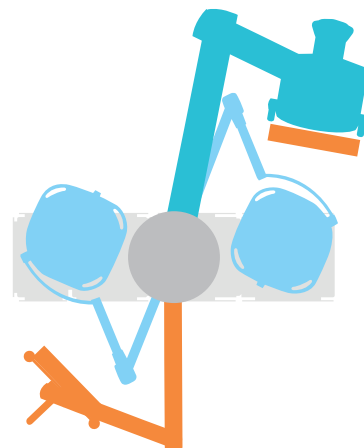


Four arms from one mount

In the exclusive Central Tandem Mount design, a single mount provides 360° access to the equipment carrier, lights and flat-screen displays. Skytron keeps construction costs low with only one mount and eliminates the hassle of side-by-side mounts.

Key Features Include

- Only one mounting structure required
- Equipment carrier, lights, and flat-screen displays can be positioned anywhere around the patient
- First upper arm provides equipment carrier
- Second lower arm provides flat-screen display or x-ray shield
- Surgical lights centered over the patient provide the easiest positioning around the surgical site



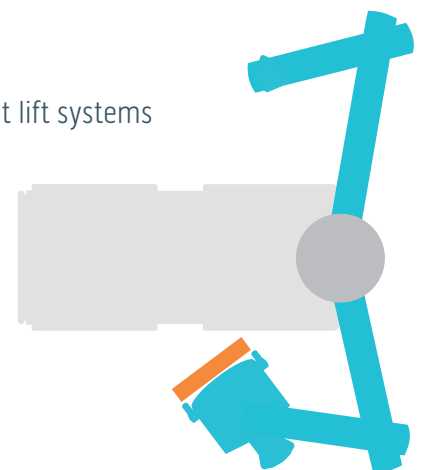


Two equipment carriers from one mount

In the exclusive Tandem Mount design, a single mount provides 360° access to equipment and utilities. An ideal configuration for intensive care units, this solution provides comprehensive coverage even when the patient's bed is pulled out or turned within the room.

Key Features Include

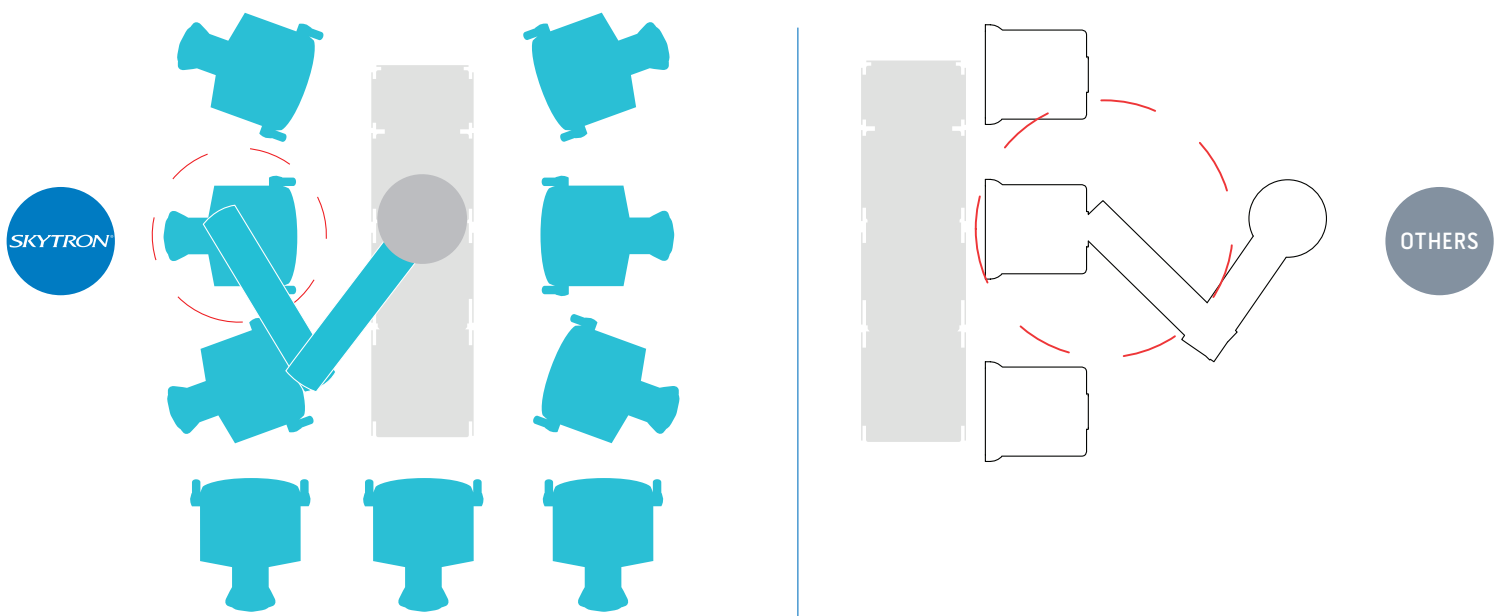
- Only one mounting structure required, minimizing any conflict in the ceiling with patient lift systems
- Both equipment carriers achieve head-to-foot coverage on either side of the patient
- Both upper and lower arm provide an equipment carrier and optional flats-screen display or patient vitals monitor
- Ability to adjust position of the bed according to healing requirements, without sacrificing equipment and utility access





Smaller rotational footprint.

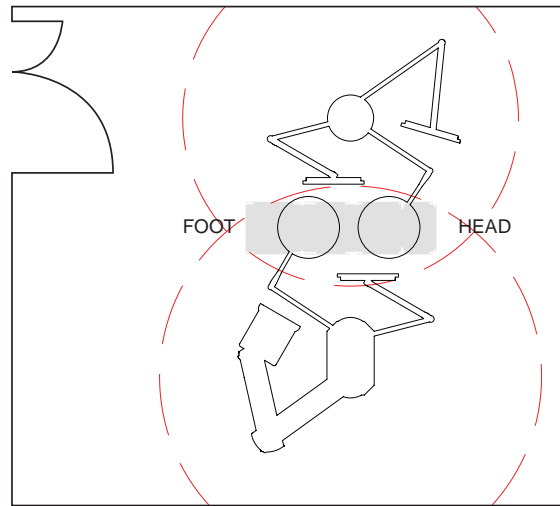
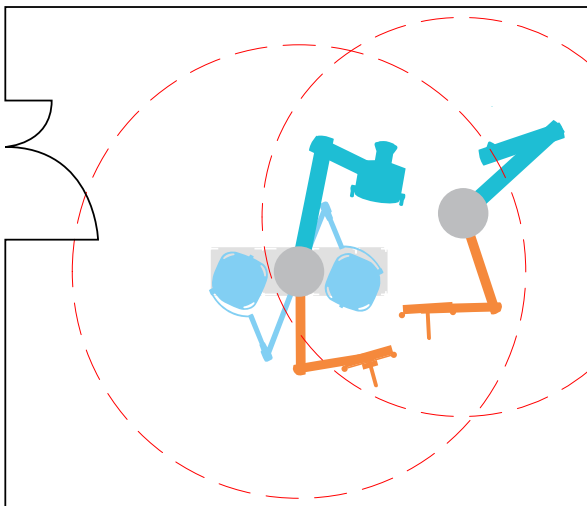
Skytron understands that space is valuable in any healthcare environment, so the center-aligned carriers are designed to use 50% less rotational square footage than the competition. When this space-saving carrier is paired with the Central Tandem Mount configuration, it can also provide comprehensive, shoulder-to-shoulder coverage.





A reach that goes farther.

Now featuring arm lengths up to 100", the Central Tandem Mount boom allows equipment to be positioned anywhere within a 17' diameter of the mounting structure. A longer reach also means that Skytron can easily work around other equipment such as patient lifts or imaging systems.





Versatile environments.

No matter what the clinical need, Skytron can work alongside of planning teams to match any configuration or specification. From extended arms for the hybrid operating room to flexible carrier coverage in the emergency room, Skytron has more options for any budget or specialty.

Find a solution for every environment or specialty

- General Operating Room
- Hybrid Operating Room
- C-Section Suite
- Cath Lab
- Intensive Care Unit
- Emergency Department



All boom components – even accessories and shelves – are safety tested up to 5X the capacity ratings



Protective support rails on center aligned carriers prevent equipment damage



Extensive cable throughput allows plenty of room for expansion to accommodate future needs



Center aligned carriers place weight directly under bearing, preventing possible damage



A sealed plate separates all gas and electrical connections on carriers, protecting against possible hazards



A full menu of accessories allow each configuration to be customized according to clinical requirements

Peace of mind.

Known for reliable equipment with a lower cost of ownership, Skytron gives healthcare providers the assurance that they need. Ergon 3 booms are constructed for utmost reliability and promise durability even in the most demanding clinical environments.

"Skytron booms offer us the greatest flexibility and performance of any ceiling-mounted boom designs we have ever tried. They are easy to operate, have no drift and allow us to seamlessly and easily add whatever equipment is necessary."

- Matthew Meyer, Equipment Planner, Spectrum Health Systems



Expert design and support.

Skytron offers committed support to architects, planners and design teams. From project management to state-of-the-art rendering tools, Skytron streamlines the planning process and seeks to provide timely, knowledgeable expertise.

Turn any idea into reality with advanced planning tools such as:

- OR concept guide
- Project and planning guide
- Online portal for architects and planners
- PowerTrak 3-D

Ergon 3 Boom Configurations

	Number of Arms per Mount	Dual Arm Reach	Maximum Dual Arm Weight Capacity	Maximum Number of Lightheades per Mount	Maximum Number of Flat-Screen Displays per Mount	Maximum Number of Equipment Carriers per Mount	Compatible Equipment Carrier / Utility Box Types	Maximum Lightweight Attachments per Mount	Compatible Lightweight Attachment Types
									
100 Series Lightweight Dual Arm Set	1	75.5" - 79"	88 lb	0	2	0	N/A	1	X-ray Shield, SkyLink, Camera
110 Series Lightweight Central Mount	3	77" - 119"	88 lb	2	2	0	N/A	1	X-ray Shield, SkyLink, Camera
120 Series Lightweight Tandem Mount	4	87" - 110.5" (Upper Arm) 77.5" - 98.5" (Lower Arm)	88 lb (Upper Arm) 88 lb (Lower Arm)	2	4	0	N/A	2	X-ray Shield, SkyLink, Camera
200 Series Dual Arm Set	1	47" - 70"	400 lb	0	0	1	3UBM-W, 3VBM, 3CM, 3KM, 3PM	0	N/A
300 Series Dual Arm Set	1	47" - 100.5"	551 lb	0	0	1	3UBM-W, 3VBM, 3CM, 3KM, 3PM, 3XM	0	N/A
310 Series Central Mount	3	68" - 100.5"	412 lb	2	0	1	3UBM-W 3VBM, 3CM, 3KM, 3PM, 3XM	0	N/A
320 Series Central Tandem Mount	4	74.5" - 100.5" (Upper Arm) 76.5" - 90.5" (Lower Arm)	383 lb (Upper Arm) 88 lb (Lower Arm)	2	2	1	3UBM-W, 3VBM, 3CM, 3KM, 3PM, 3XM	1	X-ray Shield, SkyLink, Camera
330 Series Tandem Mount	2	68" - 100.5" (Upper Arm) 54.5" - 87.5" (Lower Arm)	412 lb (Upper Arm) 460 lb (Lower Arm)	0	0	2	3UBM-W, 3VBM, 3CM, 3KM, 3PM, 3XM	0	N/A

Ergon 3 Equipment Carriers and Utility Boxes



3KM, 3PM, 3XM Series

- Three-point rail design
- Center-aligned shelves
- 110 lb capacity per shelf
- 24", 36", 48" or 56" heights
- 16.5", 22" or 32" shelf widths



3CM Series

- Open design
- Center-aligned shelves
- 77 lb capacity per shelf
- 24", 36", 48" or 56" heights
- 16.5", 22" or 32" shelf widths



3VBM Series

- Open design
- Cantilevered shelves
- 77 lb capacity per shelf
- 24", 36", 48" or 56" heights
- 16.5", 22" or 32" shelf widths

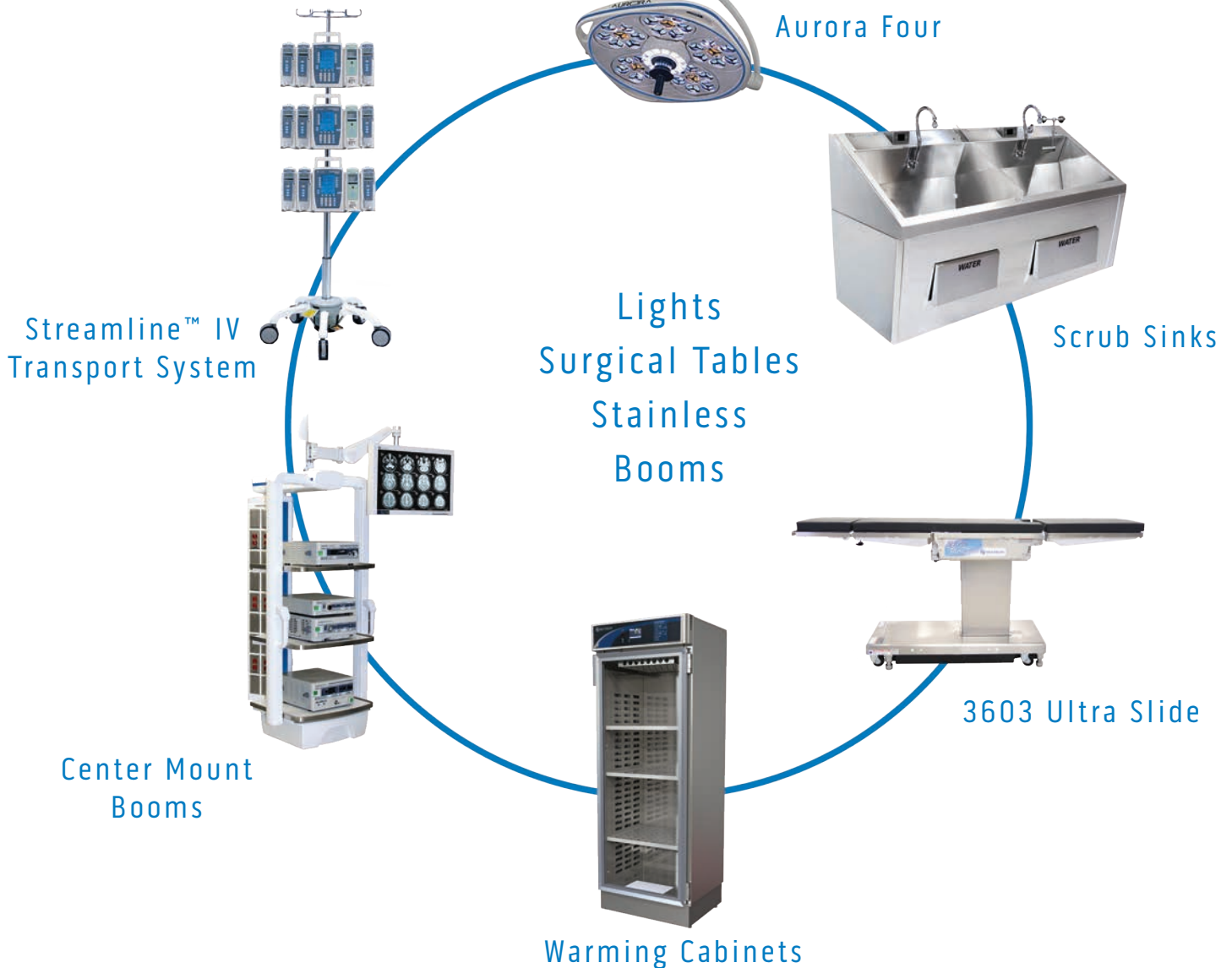


3UBM-W Series

- Horizontal utility box
- Under-mount shelf
- 77 lb shelf capacity
- 8" height
- 22" shelf width



Circle of Clinical Solutions



Skytron is the Healthcare Efficiency Specialist, providing full-room solutions of capital equipment, architectural and real-time information systems for Medical, Surgical, Sterile Processing, and Infection Prevention. Our solutions enhance the utilization of people, facilities, and capital because they are designed with the user in mind and have a low, long-term cost of ownership.

To learn more, visit our website at www.skytron.com



5085 Corporate Exchange Blvd. SE
Grand Rapids, MI 49512
1.800.SKYTRON (759-8766)
email: info@skytron.com
www.skytron.com



REV1 4-19
PN L2-010-116